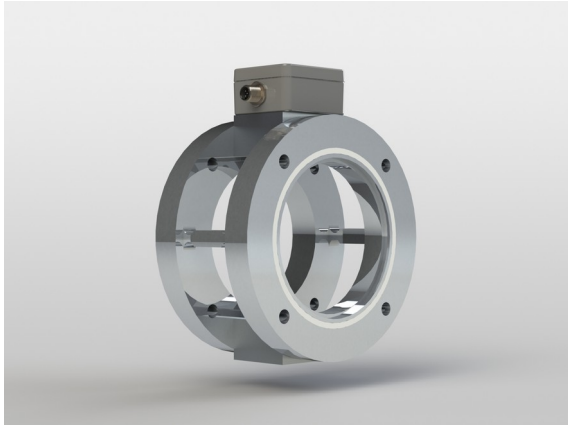


Torque sensor TD175e 10Nm

Item number: 9059



Highlights

- with integrated measuring amplifier GSV-1A 010/250/2/M12
- Due to the arrangement of the measuring spokes, bending moments of up to 200 Nm can be absorbed

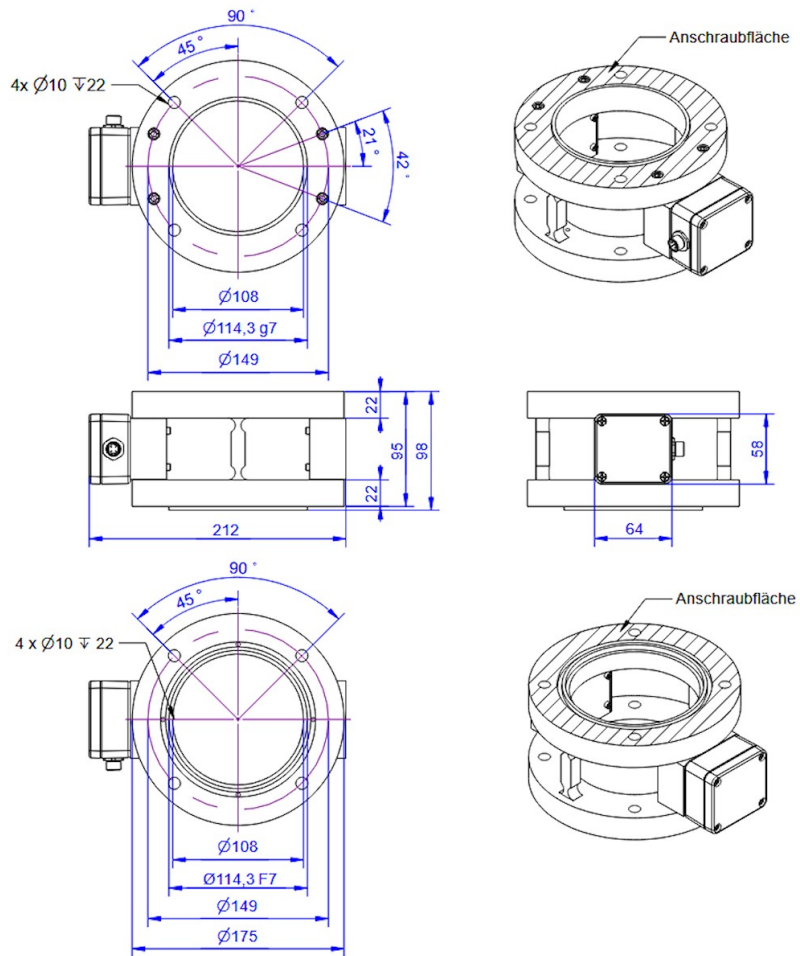
The torque sensor TD175 is used in test benches for measuring the reaction torque. (Wired, non-rotating).

The torque sensor consists of two flanges, which are connected with each other via 4 measuring spokes. The two flanges have the same pitch circle \varnothing 149mm. The centerings are designed as an external and internal collar with \varnothing 114,3.

Due to the large diameter of the torque sensor TD175 and the arrangement of the measuring spokes in the axial direction, this torque sensor can also absorb bending moments up to 200 Nm, which are caused by the dead weight of the drive motor.

The connection is made via a terminal box with M12 connectors.

Technical Drawing



Technical Data

Basic Data		Unit
Type	Biegefeder	
Rated torque	10	Nm
Bending moment limit	200	Nm
Maximum operating torque	150	%FS
Breaking torque	400	%FS
Rated torsion angle	0.7	°/FS
Axial force limit	500	N
Lateral force limit	500	N
Torque introduction	pitch circle	
Dimension (torque introduction)	Ø149	
sensor fastening	pitch circle	
Dimension 2	Ø149	
Diameter	175	mm
length	98	mm
Material	aluminum-alloy	
Dimensions	Ø 175mm x 98mm	
Variants	10Nm... 150Nm	

Electrical Data		Unit
Input resistance	700	Ohm
Tolerance input resistance	10	Ohm
Output resistance	700	Ohm
Tolerance output resistance	10	Ohm
Insulation resistance	5	GOhm
Rated range of excitation voltage from	2.5	V
Rated range of excitation voltage to	5	V
Operating range of excitation voltage from	1	V
Operating range of excitation voltage to	10	V

Accuracy Data		Unit
Accuracy class	0,1	
Relative linearity error	0.1	%FS
Relative zero signal hysteresis	0.1	%FS
Temperature effect on zero signal	0.01	%FS/K
Temperature effect on characteristic value	0.01	%RD/K
Relative creep	0.05	%FS

Environmental Data		Unit
Rated temperature range from	-10	°C
Rated temperature range to	70	°C
Operating temperature range from	-10	°C
Operating temperature range to	85	°C
Storage temperature range from	-10	°C
Storage temperature range to	85	°C
Environmental protection	IP65	

Abbreviation : RD: „Reading“; FS: „Full Scale“;1) The exact nominal sensitivity is indicated in the test report;

Pin Assignment

Channel	Symbol	Description	Wire color	PIN
	Ub	supply voltage 24V DC	brown	1
	GND	mass	blue	3
	Ua	output signal	white	2
	Tara	control input for zero adjustment	black	4
	SH	shield	transparent	housing
	shunt	shunt	gray	5

Shunt: Pin 5 (gray) against supply