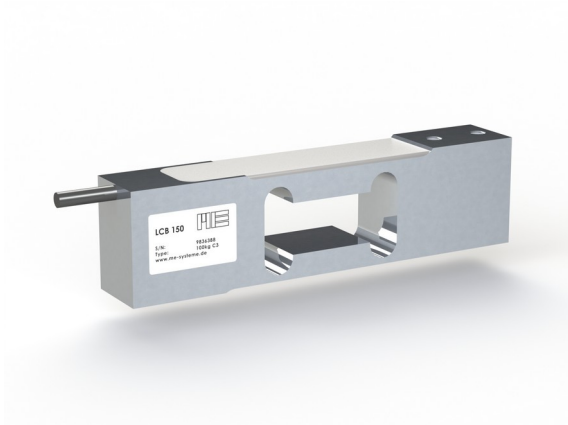


## Force Sensor LCB150 1kg

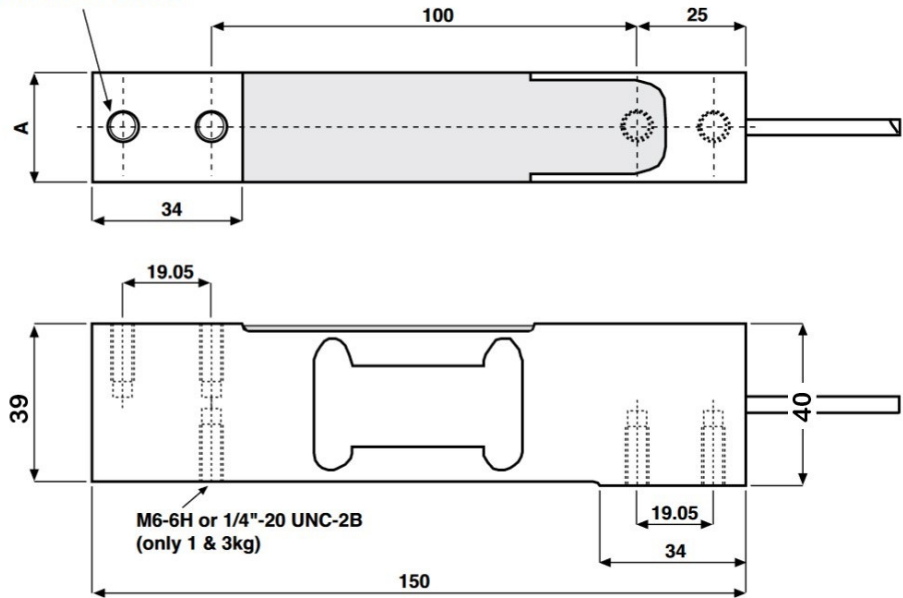
Item number: 2135



### Technical Drawing

Capacity, kg	A
1-30	20
50-200	25.4

4 Mounting holes  
M6-6H or 1/4"-20 UNC-2B



## Technical Data

Basic Data		Unit
Type	Wägezelle	
Force direction	Compression	
Rated force Fx	1	kg
Material	aluminum-alloy	
Dimensions	150mm x 20mm x 40mm / 150mm x 25mm x 40mm	
Breaking force	300	%Fs
Variants	1kg... 100kg	

Electrical Data		Unit
Input resistance	415	Ohm
Tolerance input resistance	15	Ohm
Output resistance	350	Ohm
Tolerance output resistance	3.5	Ohm
Insulation resistance	2	GOhm
Rated range of excitation voltage from	2.5	V
Rated range of excitation voltage to	5	V
Operating range of excitation voltage from	1	V
Operating range of excitation voltage to	10	V
Zero signal	10	%Fs
Rated output	2	mV/V
relative error of characteristic value	0.1	mV/V

Accuracy Data		Unit
Accuracy class	0,02	
Temperature effect on zero signal	0.004	%Fs / 10°C
Temperature effect on characteristic value	0.01	%Rd / 10°C
Relative creep	0.017	%Rd

Environmental Data		Unit
Rated temperature range from	-10	°C
Rated temperature range to	40	°C
Operating temperature range from	-30	°C
Operating temperature range to	70	°C
Storage temperature range from	-30	°C
Storage temperature range to	70	°C
Environmental protection	IP66	

Abbreviation : RD: „Reading“; FS: „Full Scale“;1) The exact nominal sensitivity is indicated in the test report;2) Nominal output for LCS130 250kg is 0,1%.

## Pin Assignment

Channel	Symbol	Description	Wire color	PIN
	+Us	positive bridge supply	green	
	-Us	negative bridge supply	black	
	+Ud	positive bridge output	red	
	-Ud	negative bridge output	white	
	+Uf	positive sense lead	blue	
	-Uf	negative sense lead	brown	

Shield - transparent.