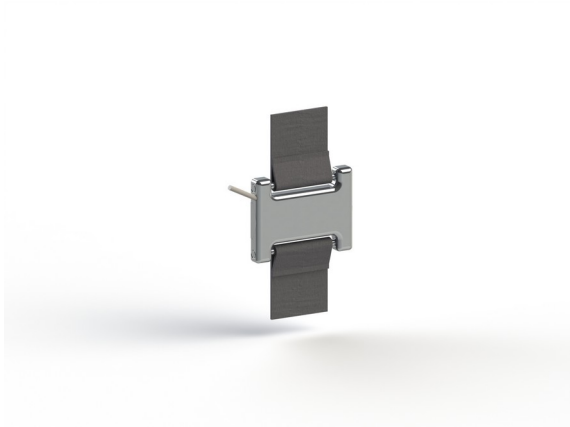
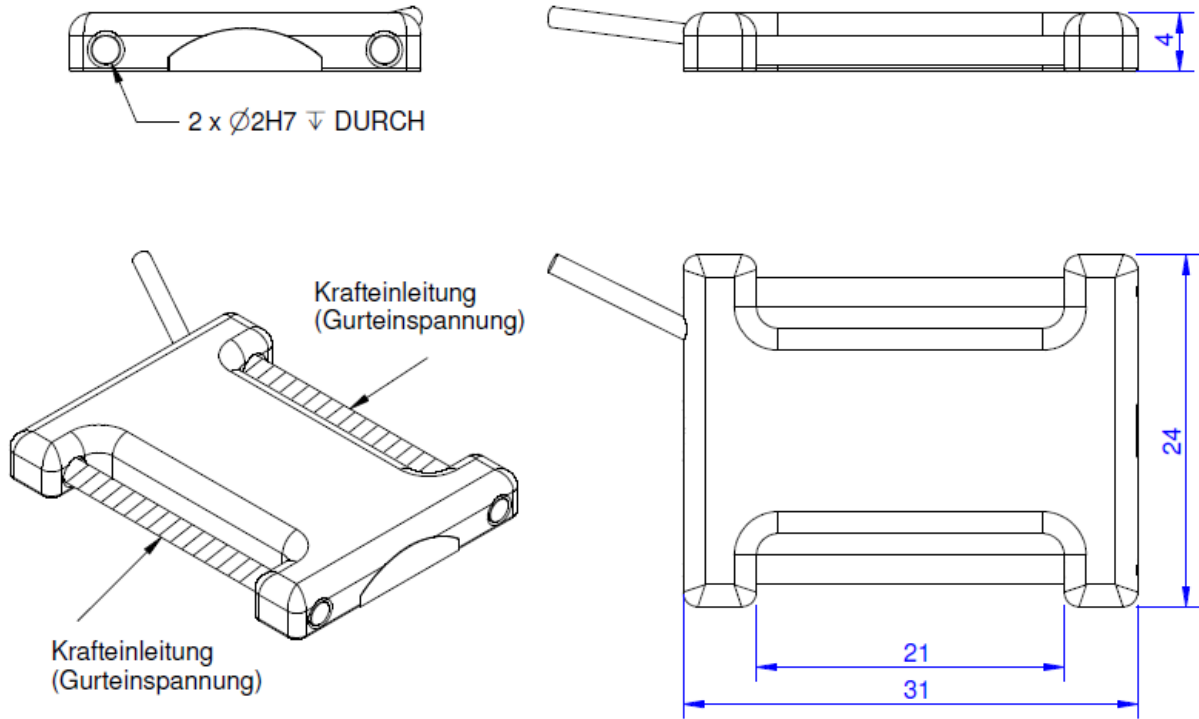


Force Sensor KL20 100N

Item number: 8665



Technical Drawing



Technical Data

Basic Data			Unit
Type	Kraftsensor		
Force direction	Tension/Compression		
Operating force	400		%FS
Rated displacement	0.05		mm
Material	aluminum-alloy		
Surface	Natur		
Dimensions	31mm x 24mm x 4mm		
Height	19		mm
Length or Diameter	31		mm
Variants	100N		

Electrical Data			Unit
Input resistance	1		kOhm
Tolerance input resistance	10		Ohm
Output resistance	1		kOhm
Tolerance output resistance	10		Ohm
Insulation resistance	2		GOhm
Rated range of excitation voltage from	2.5		V
Rated range of excitation voltage to	5		V
Operating range of excitation voltage from	1		V
Operating range of excitation voltage to	10		V
Zero signal from	-0.1		mV/V
Zero signal to	0.1		mV/V
Characteristic value range from	0.5		mV/V
Characteristic value range to	0.8		mV/V

Accuracy Data		Unit
Accuracy class	1	
Relative linearity error	1	%FS
Relative zero signal hysteresis	0.02	%FS
Temperature effect on zero signal	0.02	%FS/K
Temperature effect on characteristic value	0.01	%RD/K
Relative creep	0.1	%FS

Environmental Data		Unit
Rated temperature range from	-10	°C
Rated temperature range to	70	°C
Operating temperature range from	-10	°C
Operating temperature range to	85	°C
Environmental protection	IP65	

Abbreviation: RD: „Reading“; FS: „Full Scale“;1) The exact nominal sensitivity is indicated in the test report.

Mounting

The cylinder pins can be removed for loading the belts. The cylinder pins are secured by gluing or by a light grain impact. The sensor is mounted either between a divided belt or within an undivided belt.