

## Measuring amplifier GSV-2ASD 010/250/2

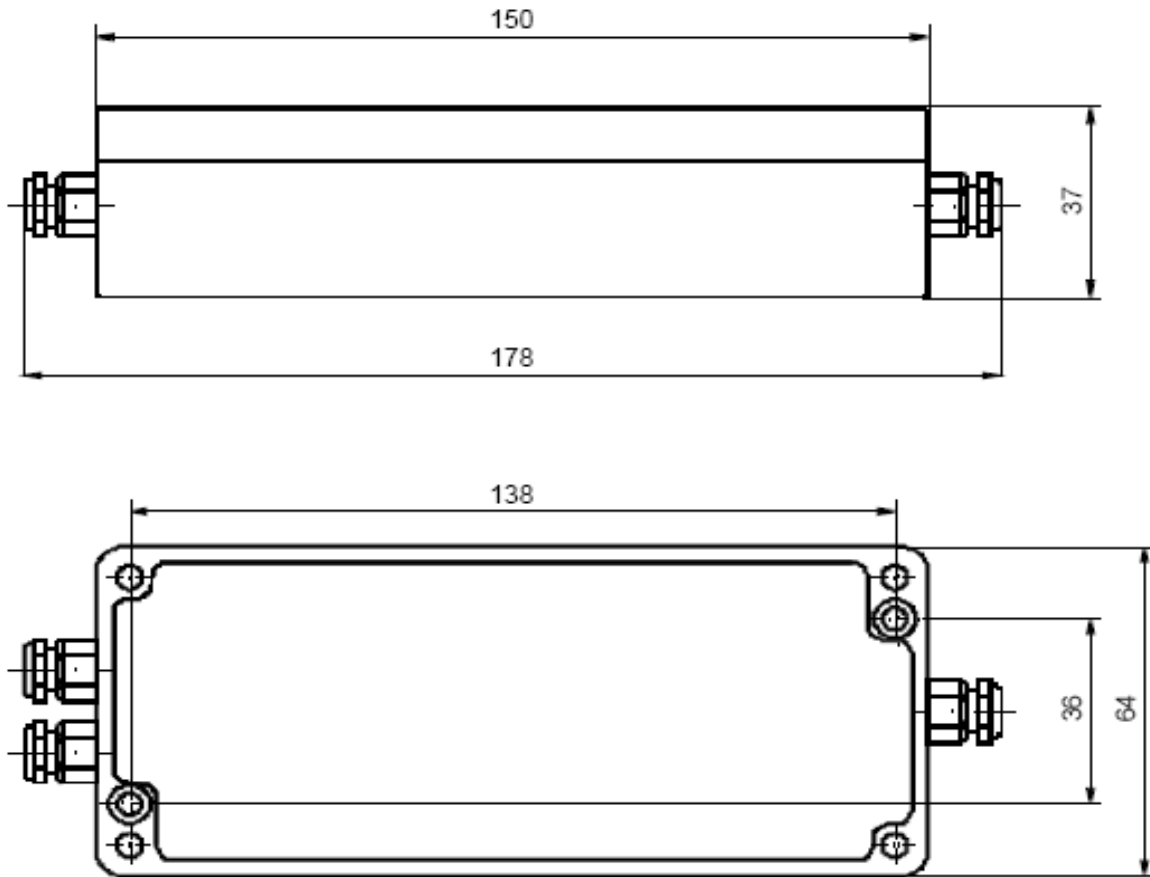
Item number: 132



### Highlights

- Tare function via control cable
- RS232, RS422
- analogue output 0...10 V
- 24 Bit, to 200.000 Digits display resolution
- extensive software support
- two threshold generator
- trigger input

## Technical Drawing



## Technical Data

Basic Data		Unit
Dimensions	178 x 64 x 37	mm
Housing	Aluminium	
Connection	Plug connector	
Number of channels	1-channel	

Input analog		Unit
Number of analog inputs	1	
Input sensitivity-steps	2.0   3.5	mV/V
Input voltage from	0	V
Input voltage to	10	V
Input resistance-voltage	56	kOhm

Output analog		Unit
Number of analog outputs	1	
Voltage output from	0	V
Voltage output to	10	V
Output resistance - voltage output	47	Ohm

Accuracy data		Unit
Accuracy class	0,05%	
Relative linearity error	0.02	%FS
Temperature effect on the zero point	0.2	%FS/10°C
Temperature effect on the measuring sensitivity	0.1	%RD/10°C
Resolution	24	Bit

Measuring frequency		Unit
Data frequency from	0	Hz
Data frequency to	1000	Hz
Limit frequency (analog)	1700	Hz

Supply		Unit
Supply voltage from	10	V
Supply voltage to	29	V
Current consumption from	100	mA
Current consumption to	120	mA
Strain gauge bridge supply	2.5   5	V

Interface		Unit
Type of the interface	RS232   RS422	
Quantity of the interface	2	

Zero Adjustment		Unit
Type	Digital   Software   Regelung	
Tolerance	0.01	%
Time period	1	ms
Debouncing time	4	ms
Trigger level from	3.4	V
Trigger level to	29	V
Trigger edge	Pegel	

Filter		Unit
Order	2	
Algorithm	Bessel	

Environmental Data	Unit
Rated temperature range from	0 °C
Rated temperature range to	50 °C
Operating temperature range from	-20 °C
Operating temperature range to	70 °C
Environmental protection	IP66