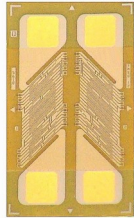
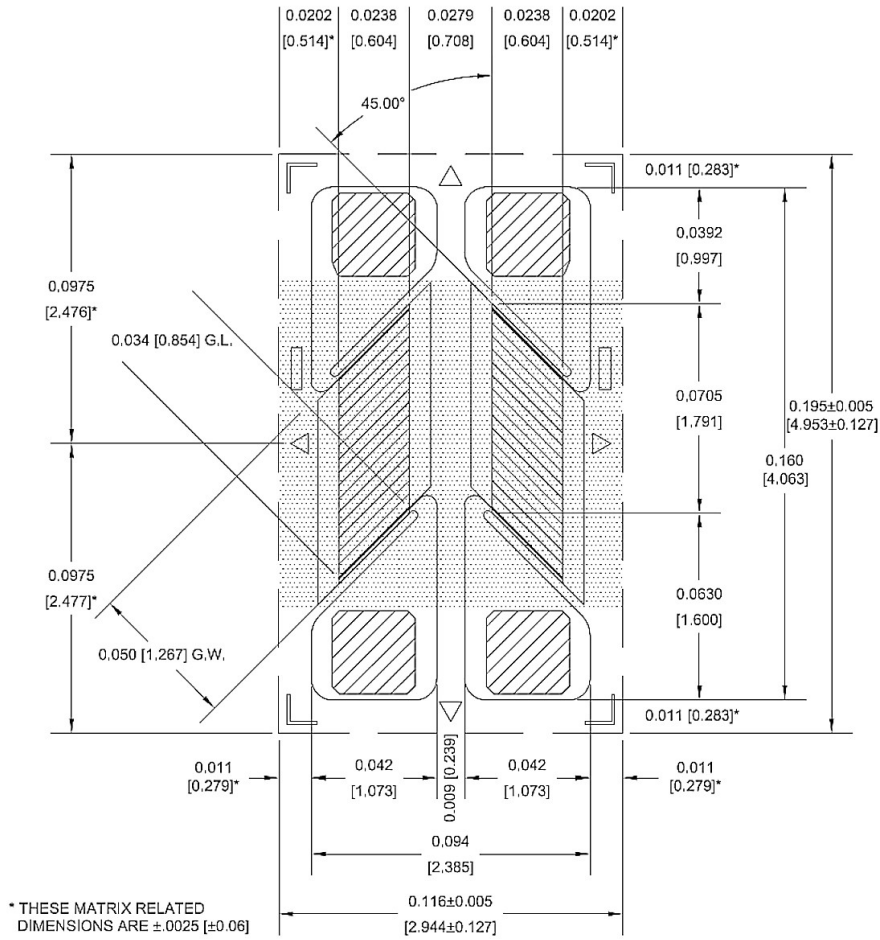


Strain gauge N5K-13-S5064Q-10C/DG/E3

Item number: 11930



Technical Drawing



Technical Data

Strain gauge		Einheit
Purpose of measurement	Aufnehmerbau	
Type	Metallfolie	
Number of grids	2	
Grid width	1.3	mm
maximum width	2.94	mm
Grid length	0.85	mm
maximum length	4.95	mm
Resistance	1000	Ohm
Tolerance resistance	0,2 %	
Grid disposition	45-45	
Connection	Lötpad	
Substrate	Polyimid	
Temperature compensation	Aluminium-13	