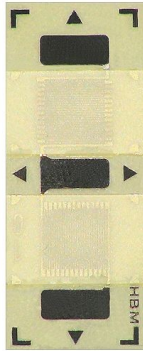
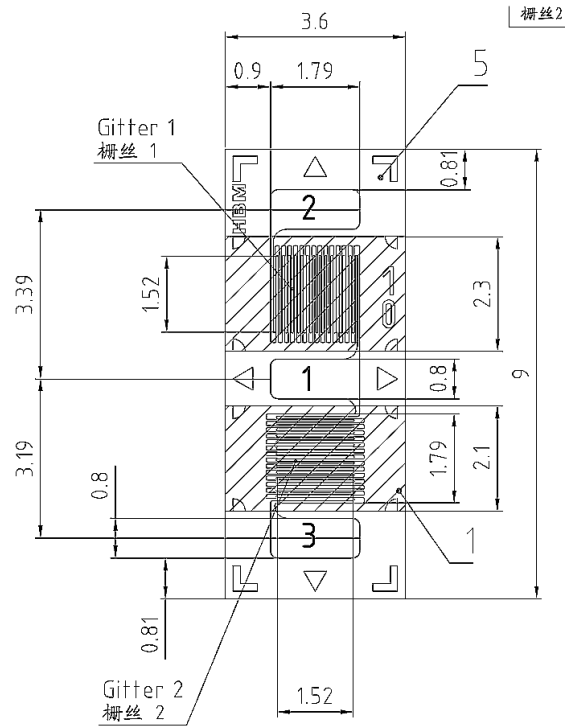


Strain gauge K-216.13-2202

Item number: 12028



Technical Drawing



Technical Data

Strain gauge		Einheit
Purpose of measurement	Aufnehmerbau	
Type	Metallfolie	
Grid width	1.79	mm
maximum width	3.6	mm
Grid length	1.52	mm
maximum length	9	mm
Resistance	350	Ohm
Grid disposition	0-90	
Connection	Löt-pad	
Substrate	PEEK	
Temperature compensation	Aluminium-13	