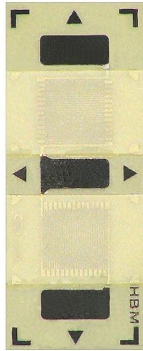
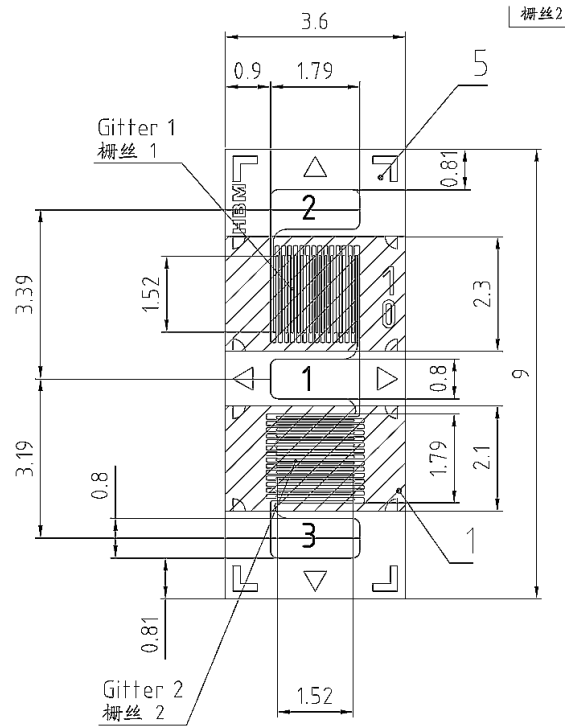


## Strain gauge K-216.06-2208

Item number: 12039



# Technical Drawing



## Technical Data

| Strain gauge             |              | Einheit |
|--------------------------|--------------|---------|
| Purpose of measurement   | Aufnehmerbau |         |
| Type                     | Metallfolie  |         |
| Grid width               | 1.79         | mm      |
| maximum width            | 3.6          | mm      |
| Grid length              | 1.52         | mm      |
| maximum length           | 9            | mm      |
| Resistance               | 350          | Ohm     |
| Grid disposition         | 0-90         |         |
| Connection               | Lötpad       |         |
| Substrate                | PEEK         |         |
| Temperature compensation | Stahl-06     |         |