

## Measuring amplifier GSV-61T6 EC/SubD44HD

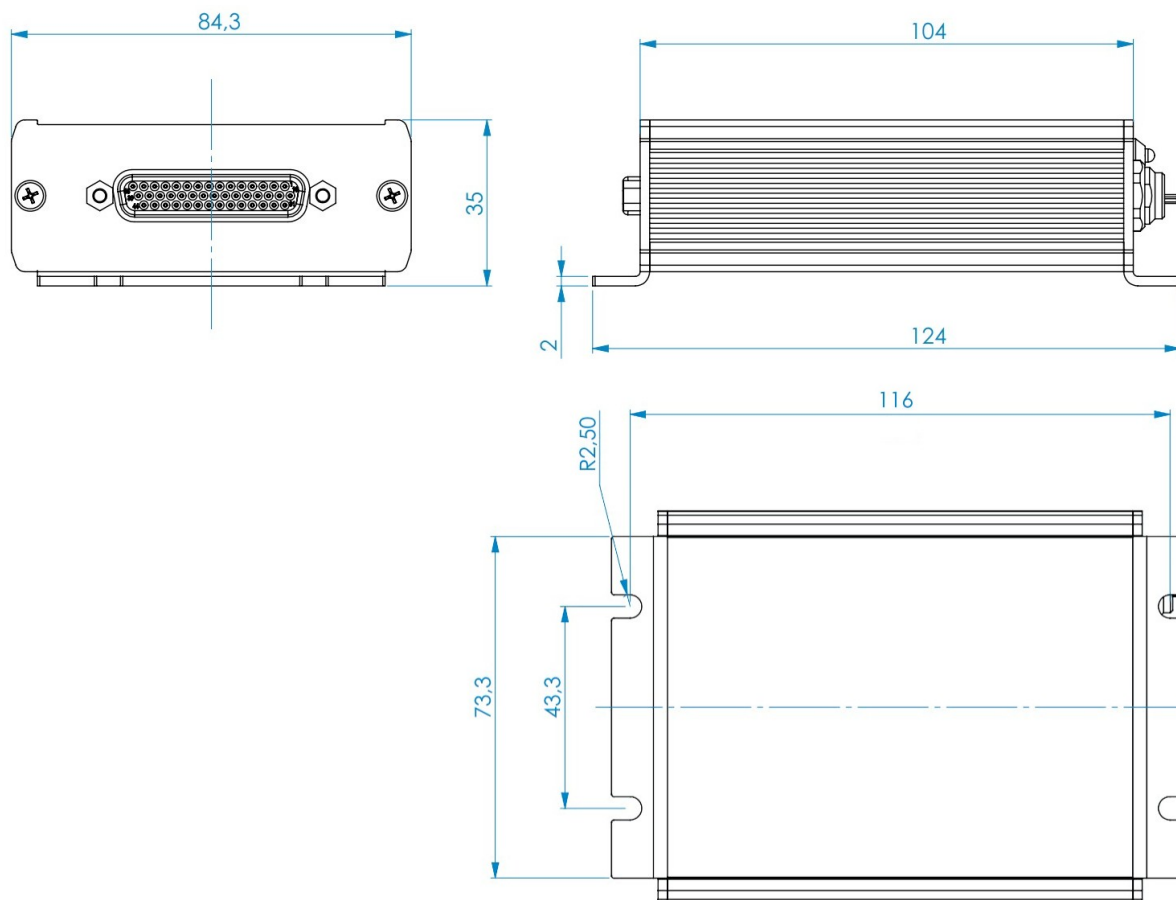
Item number: 14900



### Highlights

- 6 channels for connecting force-torque sensors
- Supply and data transmission with EtherCAT P
- USB interface for configuration and commissioning with GSVmulti
- 1kHz data frequency
- Ultra-miniature flange housing 84.3mm x 32mm x 50mm

### Technical Drawing



## Technical Data

Basic Data		Unit
Dimensions	84,3 x 50 x 32	mm <sup>3</sup>
Housing	Aluminium	
Connection	Plug connector	
Number of channels	6-channel	
Schnittstelle	USB, EtherCAT Power	

Input analog		Unit
Number of analog inputs	6	
Input sensitivity-steps	2.0	mV/V
Strain-gauge-full-bridge resistance from	120	Ohm
Strain-gauge-full-bridge resistance to	5000	Ohm

Output analog		Unit
---------------	--	------

Accuracy data		Unit
Accuracy class	0,05%	
Relative linearity error	0.02	%
Temperature effect on the zero point	0.01	%
Temperature effect on the measuring sensitivity	0.01	%
Resolution	16	bit

Measuring frequency		Unit
Data frequency from	0	Hz
Data frequency to	1000	Hz

Supply		Unit
Supply voltage from	18	V
Supply voltage to	28	V
Current consumption from	100	mA
Current consumption to	200	mA

Interface		Unit
-----------	--	------

Environmental Data		Unit
Rated temperature range from	0	°C
Rated temperature range to	50	°C
Operating temperature range from	-20	°C
Operating temperature range to	65	°C
Environmental protection	IP50	