

LSP-FAET-40

The PCB LSP-FAET-40 is used for the safe wiring of full bridges, which are composed of two or four foil strain gauges.

The labeling and the extra-large solder pads simplify the wiring of complex strain gauge arrangements on site.

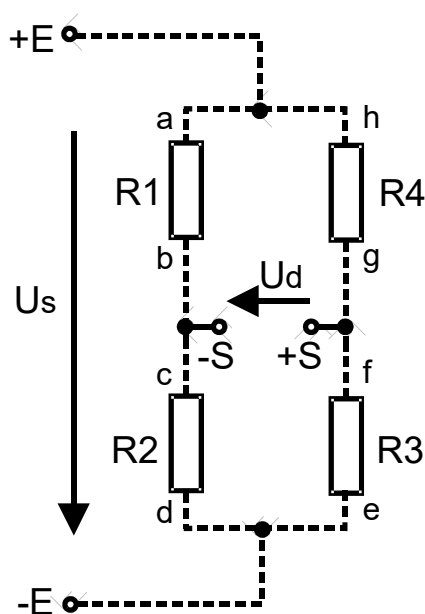
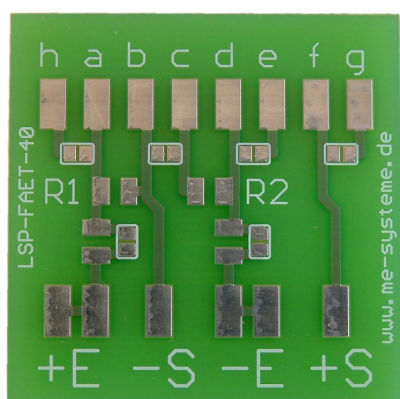
The strain gauges are placed on the connections a to h.

The Wheatstone bridge is closed via the solder bridges (h-a), (b-c), (d-e) and (f-g). With open solder bridges, the individual resistors R1 to R4 can be tested. Shunt resistors can be placed over the pads "R1" and "R2", e.g. for zeroing or shunt calibration.

For the adjustment of the sensitivity, additional resistors can be inserted into the supply lines if required, alternatively the solder bridges in the supply lines + E and -E (excitation) must be closed.

All connections shown in dashed lines in the connection diagram must be closed via solder bridges.

Pin assignment



abbreviation	designation	Standard color code
+E / +Us	+Excitation / positive bridge supply	brown / pink
-E / -Us	-Excitation / negative bridge supply	white / gray
+S / +Ud	+Signal / positive signal	green
-S / -Ud	-Signal / negative signal	yellow

Dimensions: 40mm x 40mm x 1,5mm



Changelog

Version	Datum	Änderungen
lsp-faet-40.odt	25.05.08	First version
lsp-faet-40-v1.0.odt	14.12.18	Layout revised